

# WASCOMAT "W" WASHER MODELS

Built with 100 years of experience  
for self-service coin laundries

"W" model, solid-mount, water and energy efficient washers  
in a size and model for every need!

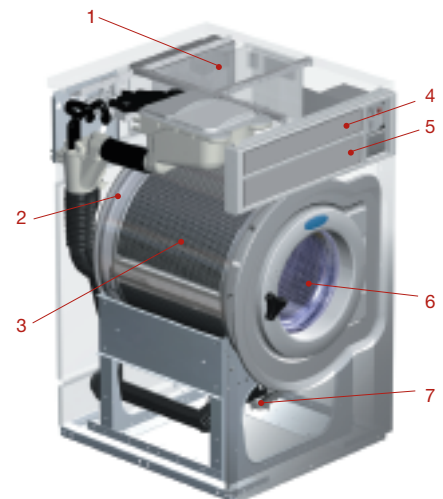


## "W" Series Features & Benefits

- Large door opening for easy loading and unloading.
- Hot, cold, warm, delicate and permanent press wash cycle selections.
- "Quick disconnect" wire harnesses for easy service.
- Identical parts on all "W" washer model sizes.
- Available with coin slide, drop coin meter or CashCard start system.

1. Easy to service, top mounted washer control.
2. Triple-seal, heavy-duty bearing.
3. Stainless steel inner and outer drums.
4. English/Spanish wash instruction panel.
5. User-friendly wash control panel.
6. Large loading/unloading door.
7. Easy to clean front drain valve reduces water consumption.

Choice of front panels: almond, white or teal green. Stainless steel is optional.



"W" Washer Models without coin meter are available for **OPL** laundries.

For more information call Wascomat 516-371-4400  
**Wascomat** Laundry Equipment

*The Standard of Quality for Over 100 Years!*



# Wascomat provides a size and model for every coin laundry need.

Model	W620		W630		W640		W655		W675		
Capacity (lb/kg)	20	8.5	30	13	40	18	55	25	75	34	
Width (in/mm)	26	660	28 3/8	720	29 1/2	750	32 11/16	830	35 13/16	910	
Depth (overall) (in/mm)	30 1/8	765	32 1/2	825	36	915	39	990	42 5/16	1075	
Height (in/mm)	43 7/8	1115	47 1/4	1200	52 3/16	1325	55 1/2	1410	56 7/8	1445	
Height to bottom of door (in/mm)	14	355	14 3/8	365	17 1/8	435	19 1/2	495	19 11/16	500	
Door opening diameter (in/mm)	12 3/16	310	14 3/8	365	15 9/16	395	17 1/8	435	17 1/8	435	
Cylinder volume	3.0	85	4.6	130	6.4	180	8.8	250	11.7	330	
Drain outlet diameter (in/mm)	3	75	3	75	3	75	3	75	3	75	
Crated weight (lb/kg)	331	150	432	196	529	240	666	302	771	350	
<b>Operating Speeds</b>											
Wash (rpm)	52		49		44		44		42		
Extract (rpm/g factor)	528 / 81		494 / 81		471 / 81		446 / 81		427 / 81		
<b>Electrical Requirements (standard)</b>											
Voltage/frequency/phase					208-240/60/3						
Current (Amps)Full-load / Ckt breaker	4.4 / 15		5.4 / 15		7.0 / 15		9.1 / 15		7.1 / 15		
<b>Alternate Voltages</b>											
Alternate voltages are available. Contact the Wascomat Sales Department											
<b>Water information</b>											
Inlet fittings (* = 3 inlets)	DN20	3/4	DN20	3/4	DN20*	3/4*	DN20*	3/4*	DN20*	3/4*	
Flow (gpm/lpm @ 45 psi) (each inlet)	5	20	5	20	5	20	16	60	16	60	
Recommended water pressure (psi/kPa)	30-90	200-600	30-90	200-600	30-90	200-600	30-90	200-600	30-90	200-600	

For more information refer to machine manuals on [Wascomat.com](http://Wascomat.com) or call Wascomat 516-371-4400

Refer installation and service to qualified personnel. Read installation and operating manuals and consult local codes before installation. Protect machines with properly rated, inverse-time, common-trip, industrial-type circuit breakers ONLY. Warranty void if not properly installed. Solid-mount machines require a concrete foundation, and are not suitable for upper-floor installations. Contact Wascomat for more information and for availability of machines for upper floor installation and other electric services not listed. Specifications subject to change without notice. Wascomat assumes no responsibility for errors or omissions in this information.



## Unique 4-Compartment Supply Dispenser



Accepts liquid or powder detergents, bleach and fabric softener for superior wash results.

## "Classic" Electromechanical Control



Choice of wash formulas – hot, cold, warm, permanent press and delicate wash cycle options. English/Spanish wash instructions provide simple step-by-step operating instructions.

Choice of coin slide, drop coin meter or CashCard system.

Your local independent authorized dealer

**Wascomat Laundry Equipment**

516-371-4400 • [www.wascomat.com](http://www.wascomat.com)

461 Doughty Blvd., Inwood, N.Y. 11096-0338

Tel: 516-371-4400 • Fax: 516-371-4204 • e-mail: [sales@wascomat.com](mailto:sales@wascomat.com)

Parts – Tel: 516-371-2000 • Fax: 516-371-4029 • e-mail: [parts@wascomat.com](mailto:parts@wascomat.com)

Technical Support – Tel: 516-371-0700 • Fax: 516-371-4029

En Mexico: Llame gratis a este numero 001-800-010-1010

